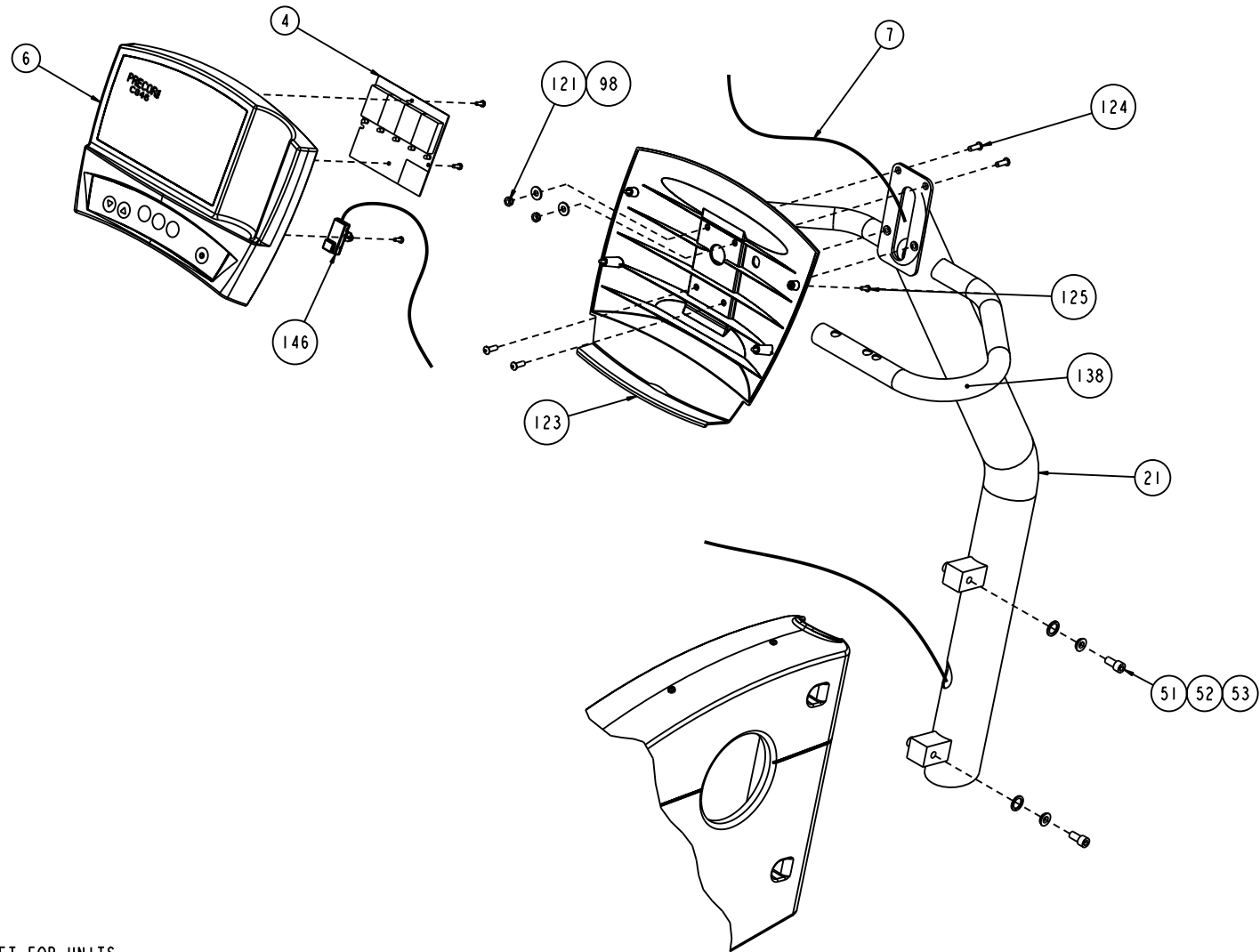
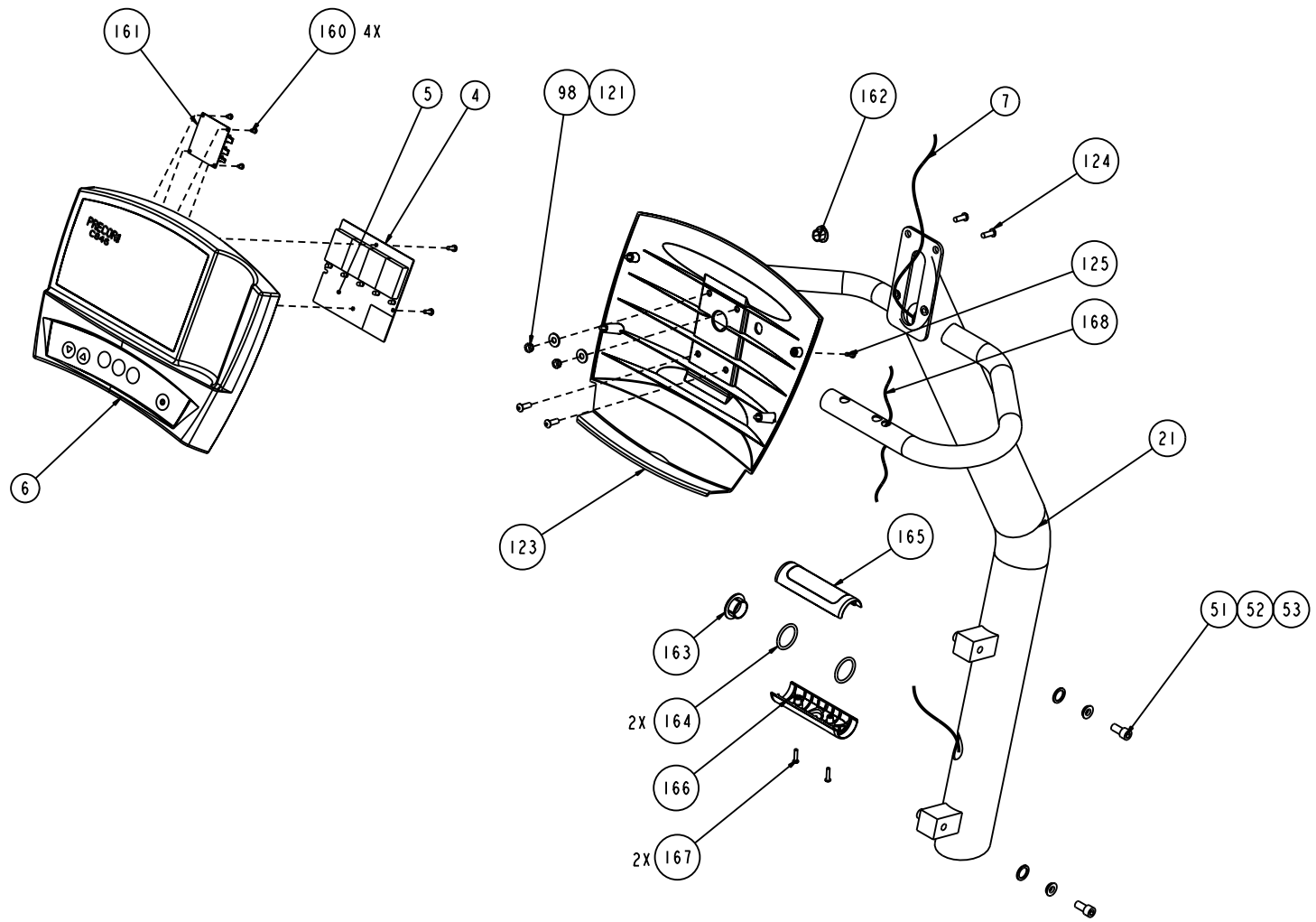


C846 RECUMBENT	P/N: 39447-101	REV: N
DRAWN BY: M.HAMILTON	DATE: 07.23.01	SHEET 1 OF 7



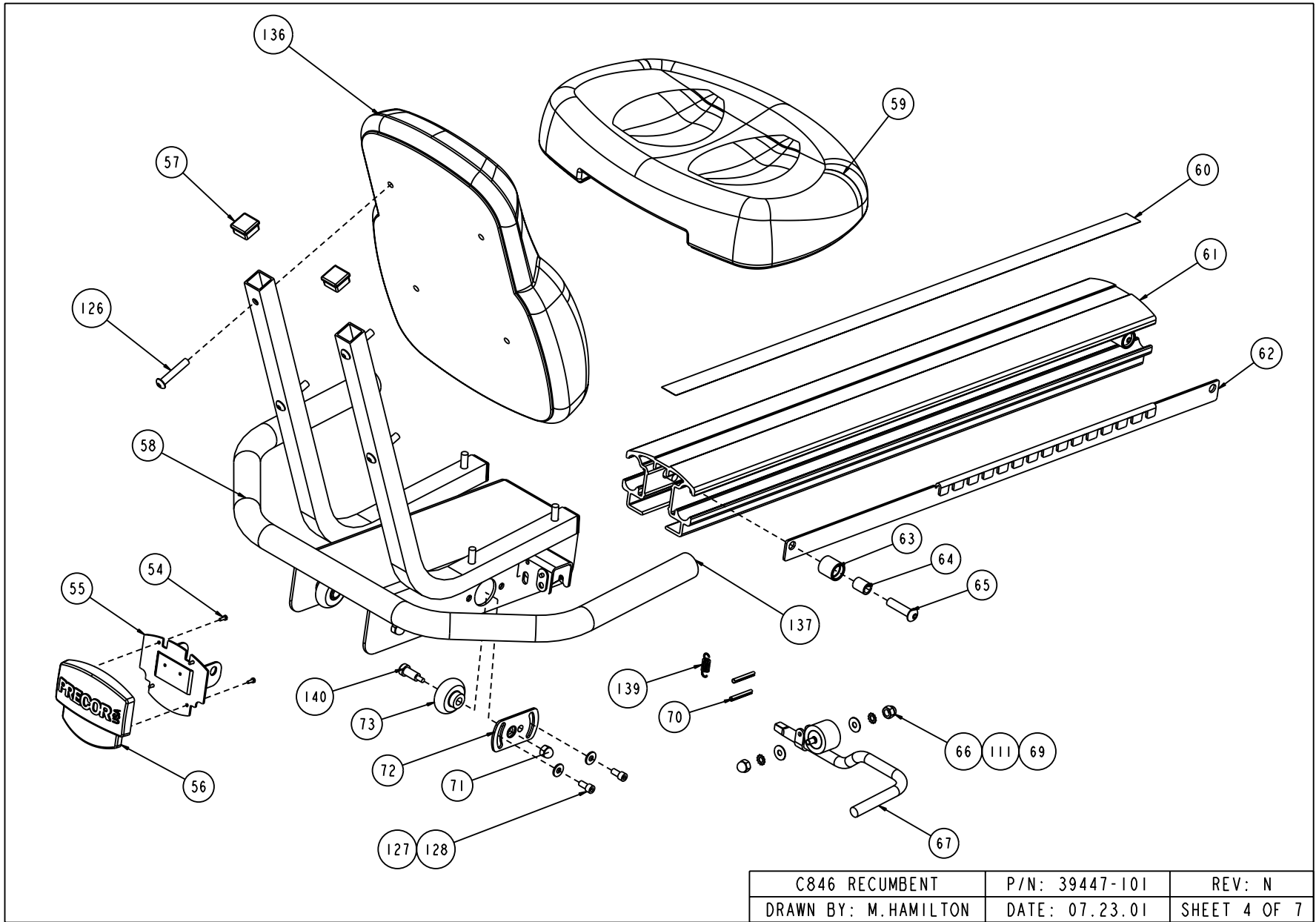
USE THIS SHEET FOR UNITS
NOT EQUIPPED WITH
HAND HELD HEART RATE.

C846 RECUMBENT	P/N: 39447-101	REV: N
DRAWN BY: M.HAMILTON	DATE: 07.23.01	SHEET 2 OF 7

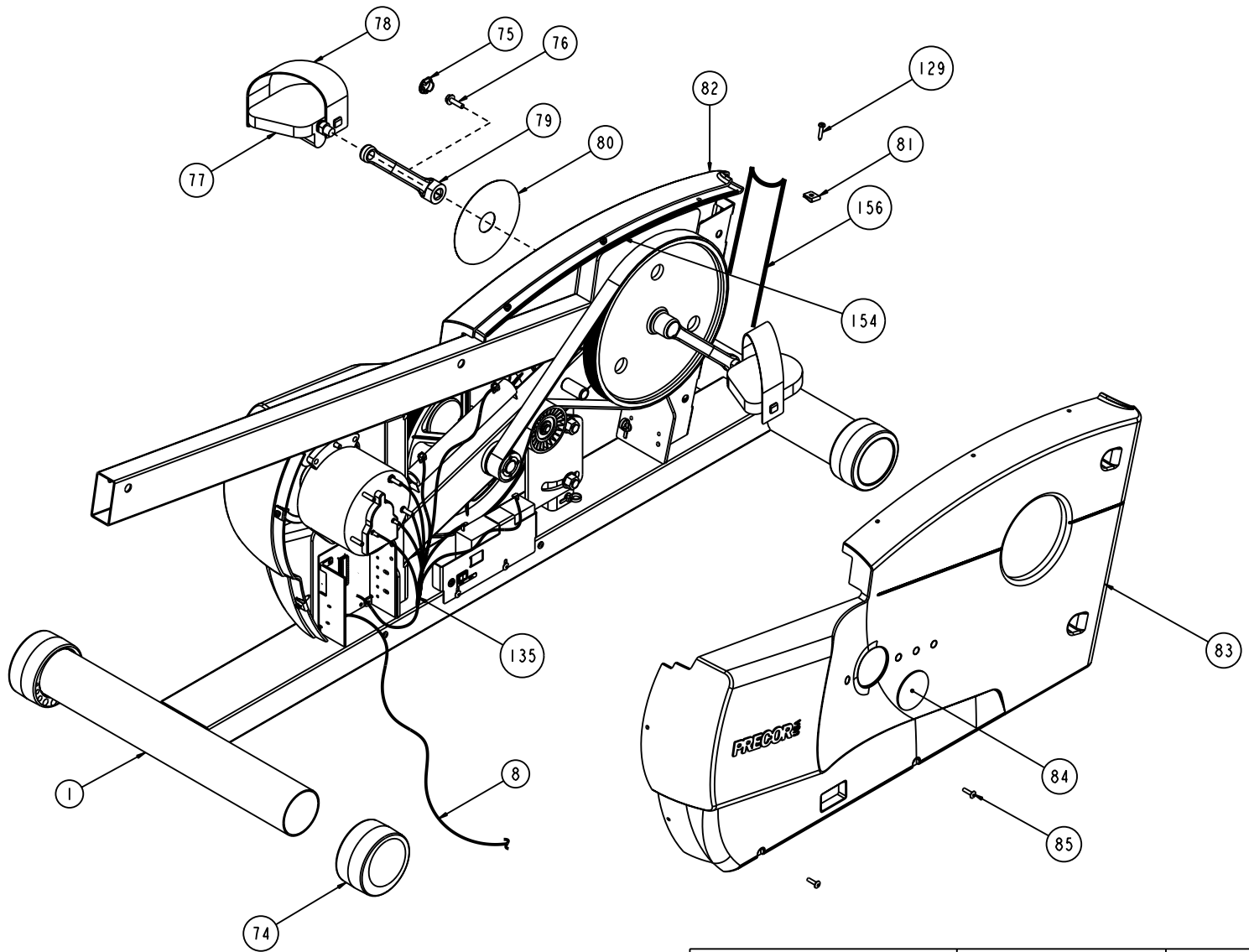


USE THIS PAGE FOR
 UNITS EQUIPPED WITH
 HAND HELD HEART RATE.

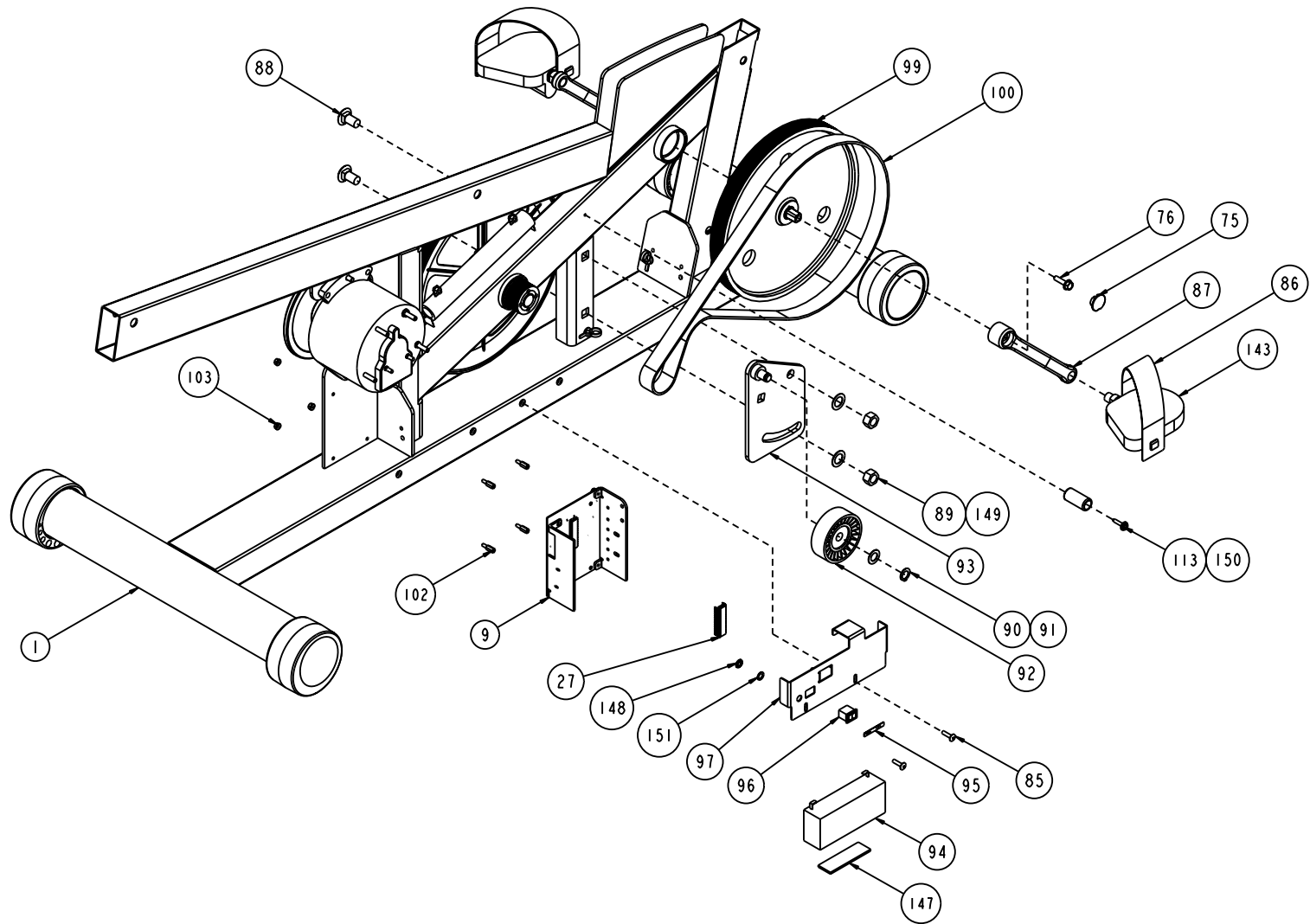
C846 RECUMBENT	P/N: 39447-101	REV: N
DRAWN BY: M.HAMILTON	DATE: 07.23.01	SHEET 3 OF 7



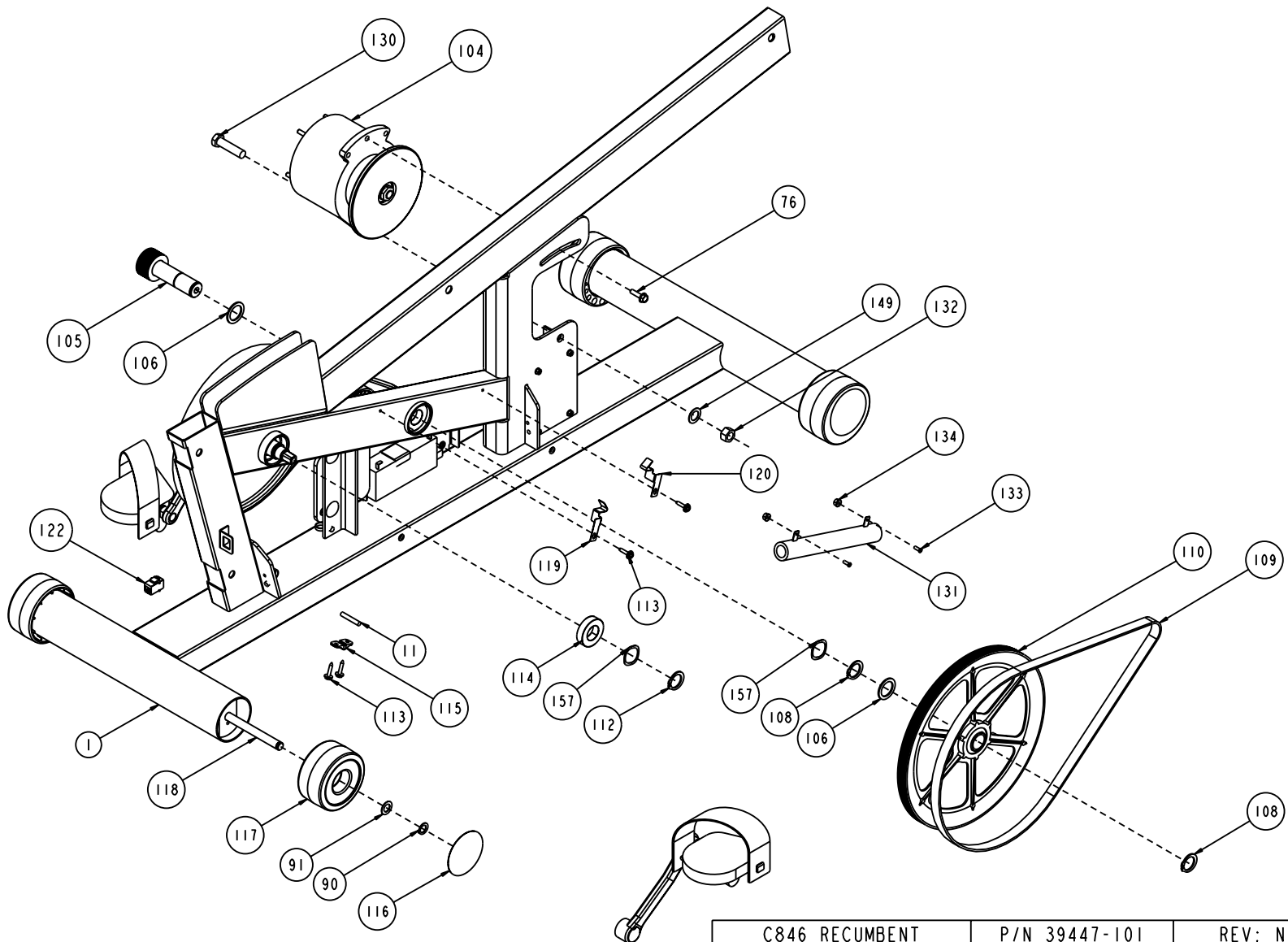
C846 RECUMBENT	P/N: 39447-101	REV: N
DRAWN BY: M.HAMILTON	DATE: 07.23.01	SHEET 4 OF 7



C846 RECUMBENT	P/N: 39447-101	REV: N
DRAWN BY: M.HAMILTON	DATE: 07.23.01	SHEET 5 OF 7



C846 RECUMBENT	P/N: 39447-101	REV: N
DRAWN BY: M.HAMILTON	DATE: 07.23.01	SHEET 6 OF 7



C846 RECUMBENT	P/N 39447-101	REV: N
DRAWN BY: M.HAMILTON	DATE: 07.23.01	SHEET 7 OF 7

C846 - 6B, 7C, DM, EP (Recumbent)

Part Number	Description	Bubble Number
40178-101	ASSY, FRAME W/BEARING,846R	1
38943-103	PCA,DISPLAY,D2S	4
42844-103	ASSY,PCA&SW,C846,UPR	4A
38997-112	PROM,PROGRAMMED,UPPER C846	5
39368-101	ASSY, DISPLAY ENCL.,ENG.,846	6
44905-048	ASSY,CLB,MOD,8P8C,1-1,48"	7
44905-048	ASSY,CLB,MOD,8P8C,1-1,48"	8
38046-107	PCA,LOWER LOGIC	9
42843-103	ASSY,PCA&SW,C846,LWR	9A
31378-104	ASSY, REED SWITCH	11
38586-502	WELDMENT,CONSOLE,846R,PT	21
38989-112	PROM,PROGRAMMED,LOWER C846	27
CAKN038-075	SCREW,SKHD,3/8-16X0.75,BLK ZN,LK	51
40052-101	BEARING,FLANGE	52
WBDNN061-006	WASHER, NEOPRENE	53
PYCN011-031	SCREW,TH-CUT PNHD,4-14X5/16,ZN	54
39321-501	WELDMENT,END CAP,846R,PT	55
38622-102	COVER,EXTRUSION CAP,846R	56
11240-102	CAP, END, PLASTIC, SQUARE, 1 , WCL	57
43540-202	WELDMENT, RECUMBENT SEAT, 846R, PT	58
43873-101	SEAT, BOTTOM, 846R	59
38961-501	LABEL,SEAT ADJUST,846R	60
38625-102	EXTRUSION,RECUMBENT SEAT,846R	61
38623-103	RAIL LOCK, 846R	62
38624-102	SEAT STOP,846R	63
39388-201	SPACER,SEAT STOP,ZN COATING	64
TAKN038-150	SCREW,BTHD,3/8-16X1-1/2,BLK ZN	65
KADCN025-022	NUT,ACORN,1/4-20	66
43517-102	ASSEMBLY, LOCK MECHANISM W/GRIP	67
WPNN026-005	WASHER, FLT, .694X.048,SS	69
10014-117	PIN, ROLL, 3/16 X 1 3/8, BLACK	70
KADCN031-025	NUT,ACORN,5/16-18	71
39478-104	PLATE, ECCENTRIC	72
38578-101	WHEEL,846R	73
38597-103	FOOT,ADJUSTABLE	74
39351-101	CAP,CRANK,ARM,846	75
HRNE031-075	SCREW, LCK WSHR HD, HEX, NYLOCK	76
58017-101	PEDAL W/STRAP KIT, INCLUDES RIGHT A	77
38600-101	CRANK,170MM,LEFT,846	79
50576-101	846 LEFT CRANK W/LCKBLT 11466-105	79A
38963-101	LABEL,CRANK,846	80
38963-501	LABEL,CRANK,846	80
10136-106	CLIP,STD, TINNERMAN, #10	81
42499-101	ASSEMBLY, COVER W/LABELS,846R,LEFT	82
42499-102	ASSEMBLY, COVER W/LABELS,846R,RIGHT	83
38966-101	DECAL,SIDE,846,DURO-LENZ	84
TAKN019-075	SCREW,BTHD,10-24X3/4,BLK ZN	85
38600-102	CRANK,170MM,RIGHT,846	87
50576-102	846 RIGHT CRANK W/LCKBLT 11466-105	87A

BACN050-100	BOLT,CARRIAGE,1/2-13X1	88
KMCN050-045	NUT,HEX,1/2-13,ZINC	89
AAHN050-003	RING,RETAINER,1/2 X.042,EXT	90
WPNN052-003	WASHER,FLT,1/2X.875,.031,SS	91
38615-101	PULLEY,IDLER,846	92
38616-201	WELDMENT,IDLER,846,PT	93
10770-102	BATTERY, 6V, 3AH, RECHARGEABLE	94
11469-101	SWITCH,ROCKER,MINI,SPST,PANEL	96
39442-103	ASSY,BATTERY BRACKET	97
58011-101	ASSEMBLY, BRACKET, BATTERY, 846	97A
10008-110	LOCKNUT,HALF,1/4-20,ZN	98
40072-103	ASSY,HUB,SHEAVE PRIMARY	99
10217-117	BELT, POLY-V, 50"	100
DECN016-044	SCREW, SEMS, #8-32X.438,PHIL	101
10028-104	STDOFF,HEX,MALE/FEMALE,.500L	102
KGCN016-013	LOCKNUT, STARWASHER 8-32, HEX	103
40747-801	BALANCED PAIR, ALTERNATOR, FLY	104
58014-103	C846 SECONDARY AXLE REPLACEMENT KIT	105
WYCN099-008	WASHER,FLT,1X1.40X.075,ZN	106
WKCNO20-001	WASHER, FLT,20MM X 25MM X 1.0MM,ZN	107
10217-108	BELT,DRIVE,POLY-V,49.5L,6 RIBS	109
38606-104	ASSY,SECONDARY SHEAVE,846	110
WAMCN025-002	WASHER, LOCK, EXT TOOTH, 1/4	111
ABHN025-001	RING,RETAINER,25MM SHAFT	112
PHCN019-075	SCREW,S/T,#10X3/4,WSHRHXHD,ZN,	113
11451-101	BEARING,RADIAL,0.98X1.85,2SEAL	114
39360-102	RETAINER, SENSOR	115
38596-501	LABEL,WHEEL,846	116
38595-101	WHEEL,846	117
38594-102	AXLE,WHEEL,846	118
39328-101	CLIP,RESISTOR	119
39328-102	CLIP,RESISTOR	120
WCCN025-007	WASHER, FLT, 1/4X.734X.065	121
11415-102	CONN,MODULAR 8 CONTACT INLINE	122
38361-102	COVER,DISPLAY,BACK	123
TFKN025-075	SCREW,BTHD,1/4-20X3/4,BLK ZN	124
PMKN016-050	SCREW,PNHD,PHIL,TYPEF,1/4-20X.75,BZ	125
TAKN031-175	SCREW,BTHD,5/16-18X1-3/4,BLK ZN	126
CAKN025-050	SCREW,SKHD,1/4-20X0.50,BLK ZN,LK	127
WNKN026-006	WASHER,FLT,1/4X.625X.063,BLK ZN	128
PFKN019-100	SCREW,S/T,#10X1,PANHD,PHIL,BLK ZN	129
BPCN050-200	BOLT,HEX,1/2-13X2.00,STEEL,ZNC	130
11437-015	RES,PWR,1.5 OHMS,300W,10%,	131
KMCN050-045	NUT,HEX,1/2-13,ZINC	132
DECN019-038	SCREW,SEMS,#10-32X.375,PHIL,	133
KHCN019-013	LOCKNUT, STARWASHER, 10-32,	134
38990-103	ASSY,WIRE HARNESS,ALTER/BATT	135
43872-101	SEAT, BACK, 846R	136
38580-103	GRIP,HANDLEBAR	137
10589-108	SPRING, EXT .375 X 1.00	139
RAKN031-075	SCREW,SHLDR,5/16-18X3/4,BLK	140
41650-501	BATTERY - PAD	147

11463-101	WASHER,SHOULDER,INSUL,FIBER	148
WACN050-010	WASHER,FLT,1/2X1.062X.095,ZN	149
WAENN032-003	WASHER,INSULATING,PHENOLIC	150
11426-101	CONN,PWR JACK,.08"PIN,.22"BUSHING	151
43685-104	SEAL, FOAM TAPE 21.63" X .375"	154
43811-102	SIDE, COVER GASKET,35.75", C846	156
WAHNN105-002	WASHER, WAVE, 1.351 OD X 1.051	157
MGCN013-025	SCREW,MCH,6-32X1/4,PANHD,PHIL,	160
43579-102	BOARD, HAND HELD HEART RATE	161
10114-108	PLUG,.625 DIA, DOUBLE D	162
42730-101	PLUG, HHR, HANDLE BAR END	163
10115-113	O-RING, ROUND, 1.25ID X .139	164
42713-102	HHR SENSOR, TOP	165
42714-102	HHR SENSOR, BOTTOM	166
TCNN016-075	SCREW, BTHD, 8-32X.75,SS	167
44650-040	ASSY, CABLE, HHR PCA TO GRIP, 40"	168
44954-013	ASSY,CBL,HHR TO DISPLAY,13"	175
50993-101	ALTERNATOR BRUSH ASSY.	201
40200-502	KIT, HARDWARE, C846	202
58012-101	C846R SEAT ASSEMBLY UPGRADE KIT	203
10186-103	WRENCH, ALLEN, 3/16	204
10186-107	WRENCH, ALLEN, 7/32	205
10186-108	WRENCH, ALLEN, 5/16, 3 X 3,9.3	206
39444-103	LITERATURE KIT,C846R	999